

# AMRAD Medical

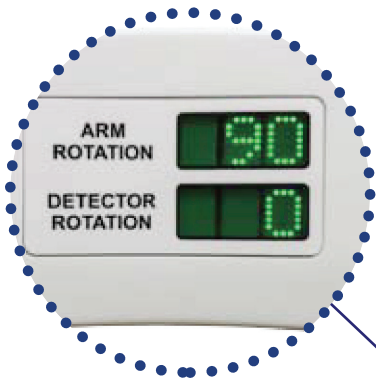


*Position the U-arm from anywhere in the room with the optional remote control*

## AAU *Classic*

Single-detector solution designed for high-volume facilities

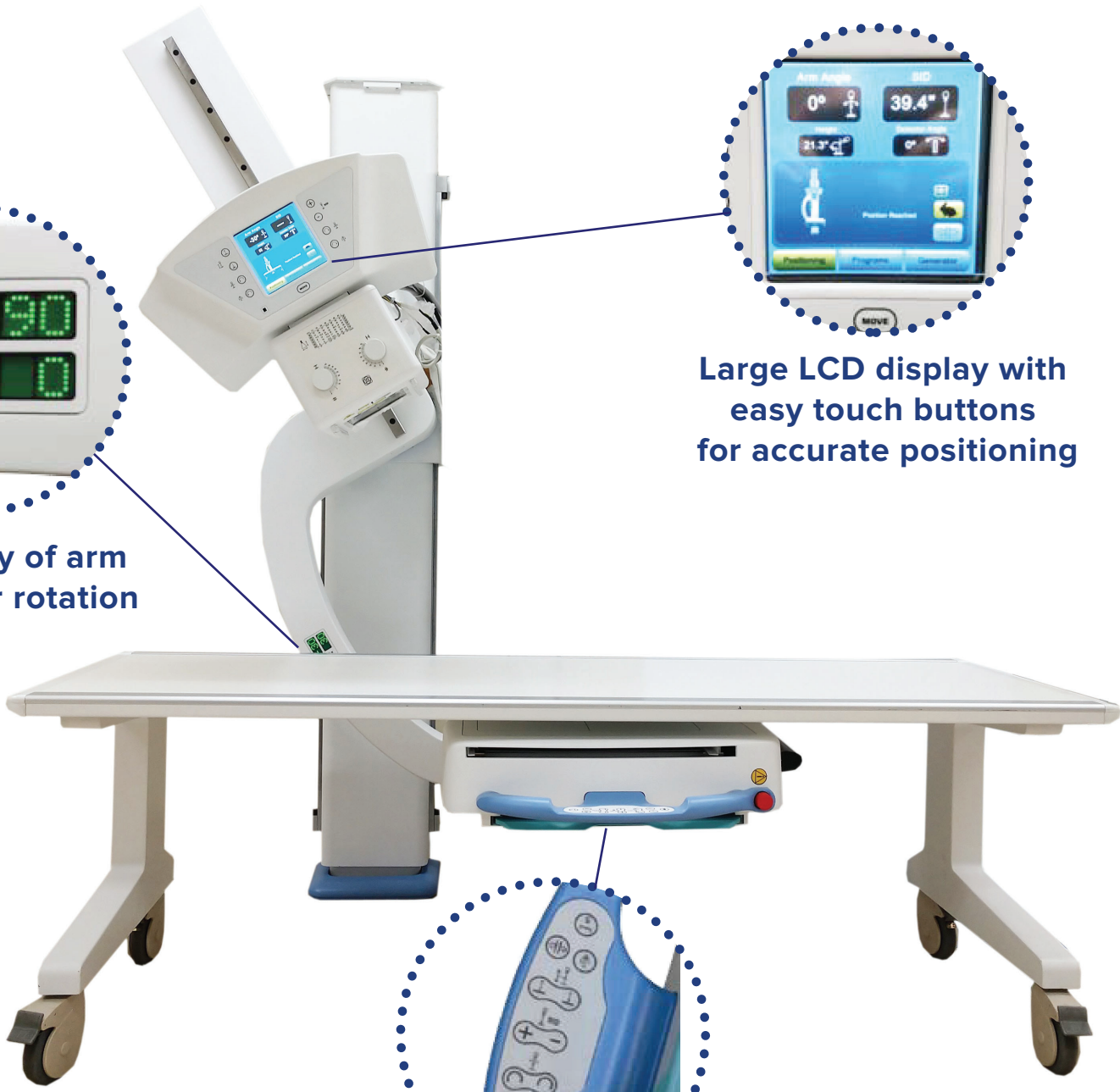
U-ARM RADIOGRAPHIC SYSTEM



**Large display of arm and detector rotation**



**Large LCD display with easy touch buttons for accurate positioning**



**Near-patient controls offer efficient equipment positioning refinements**



**Choose from a variety of optional mobile tables to add to your system.**

## Peak Performance

Achieve peak performance by migrating most exams to standing positions, improving productivity and throughput. Fully motorized with auto-positioning using 18 customizable positions.

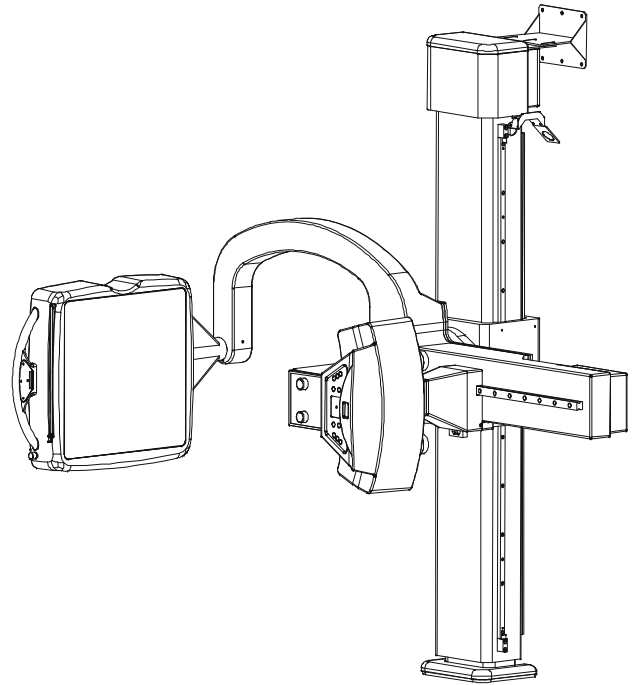
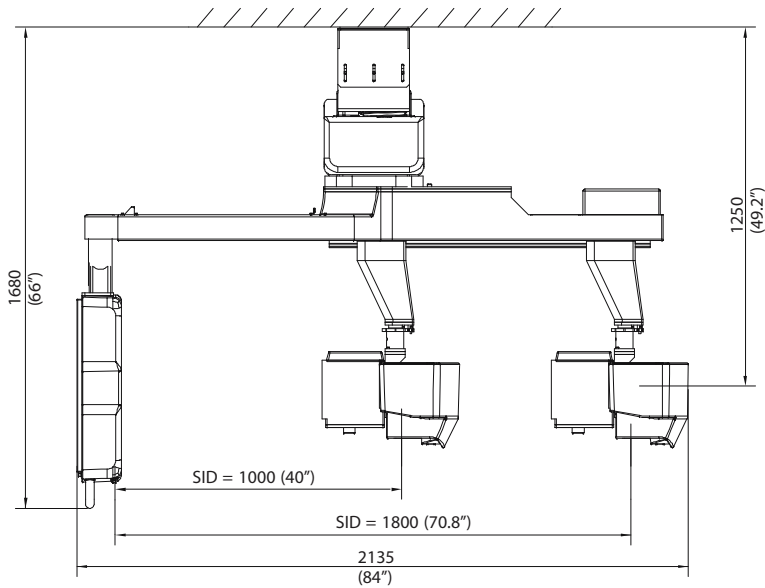
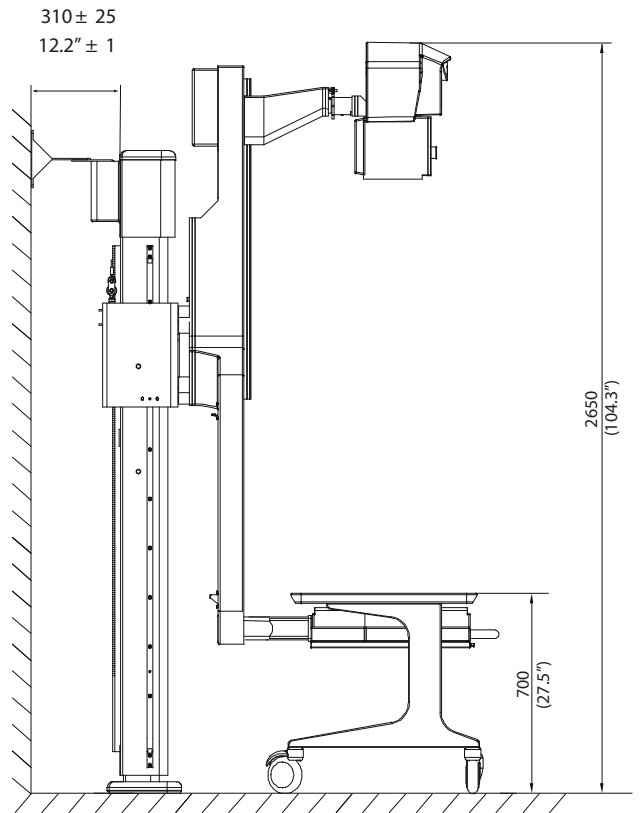
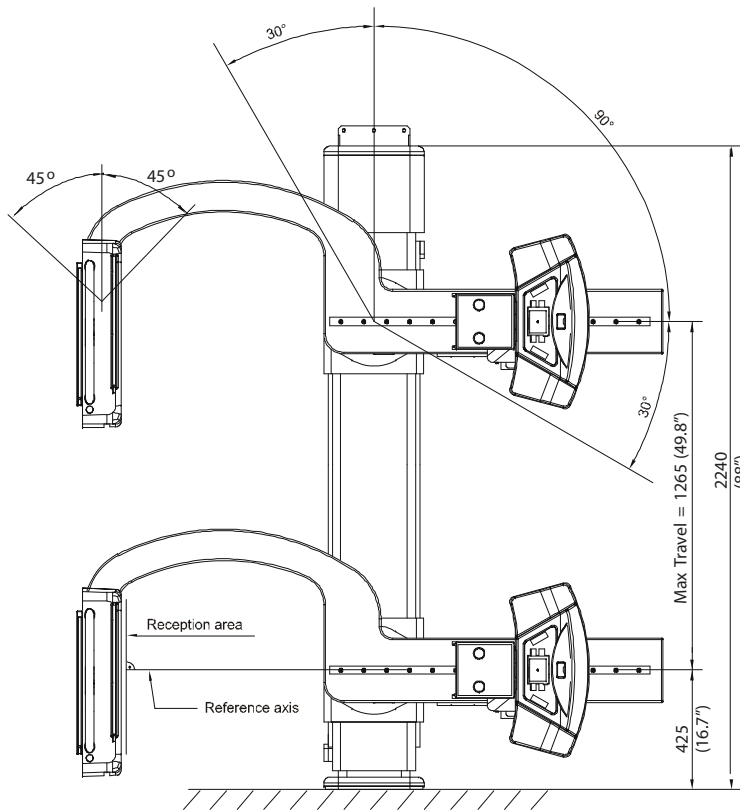
## Smart Investment

Both our AAU Classic and AAU Elite systems offer equal features and earn equal reimbursement to all of the more costly competition . . . all of this at 5-times the warranty. Smart decisions equal smart investments. Be Smart!

## Upgrade to DR with an AMRAD Medical DR solution



*Refine equipment positions and remove complicated equipment angles with conveniently located control panel*



**AMRAD**  **Medical**  
A Trusted Brand of Summit Industries

[www.amradmedical.com](http://www.amradmedical.com)

SUMMIT INDUSTRIES, LLC  
7555 N. Caldwell Avenue, Niles, Illinois 60714  
(p) 773-353-4000 | (p) 1-800-729-9729



NSF-ISR  
Registered to ISO 13485



LITR040-0623